



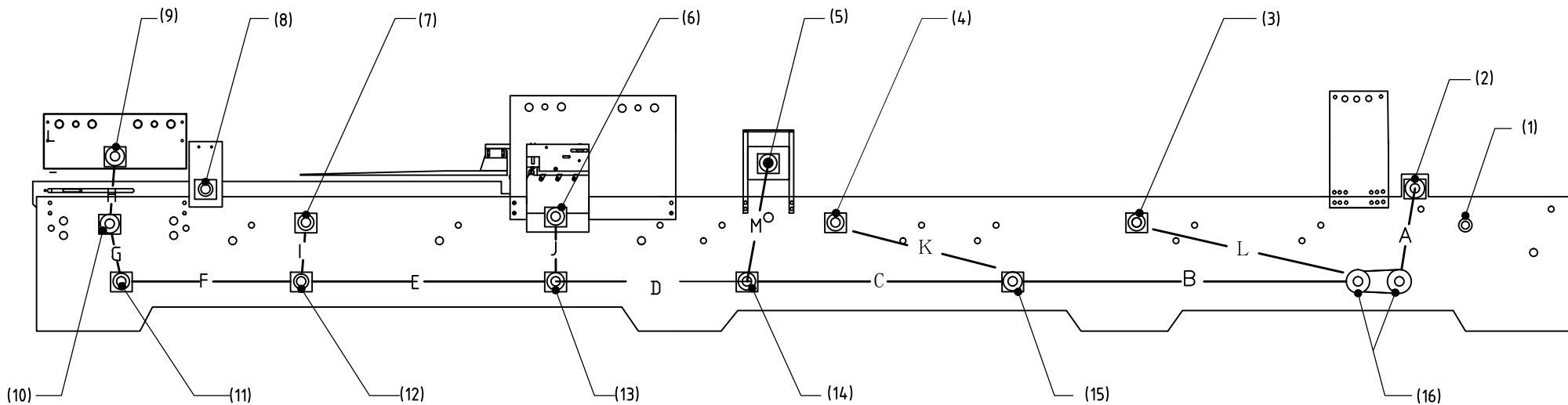
HOSON

Operation Manual

ZH- 1000 BFT

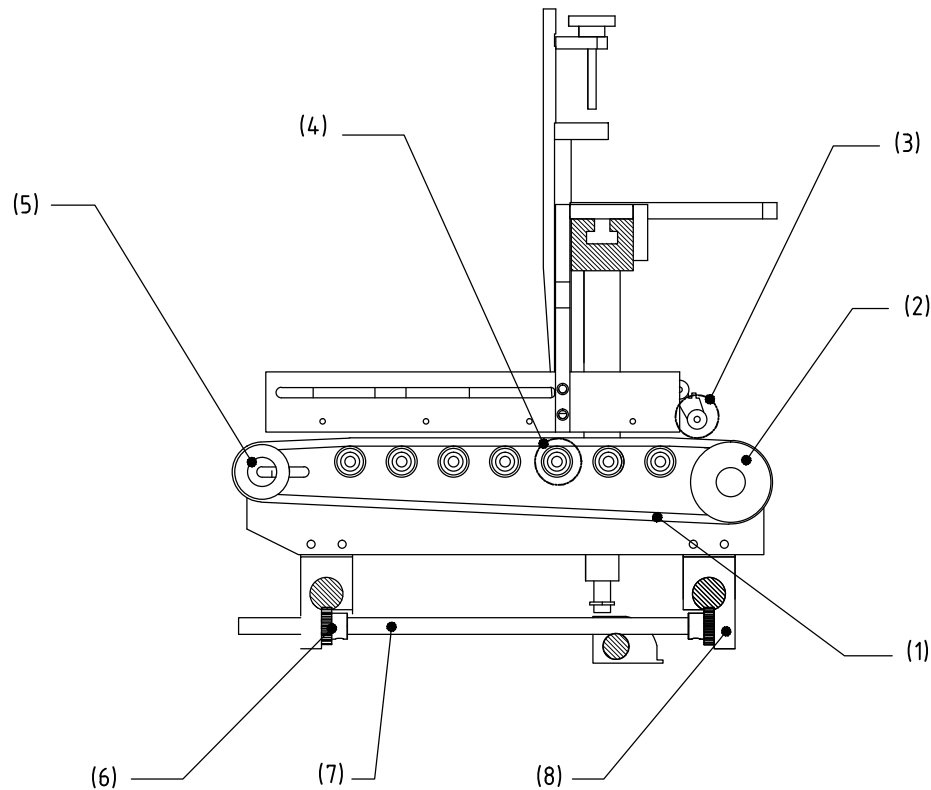
Efficiency & Performance
Specialized & Creditable

AUTOMATIC FOLDER GLUER MACHINE



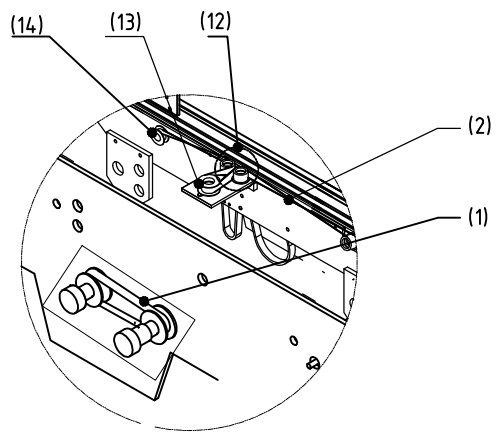
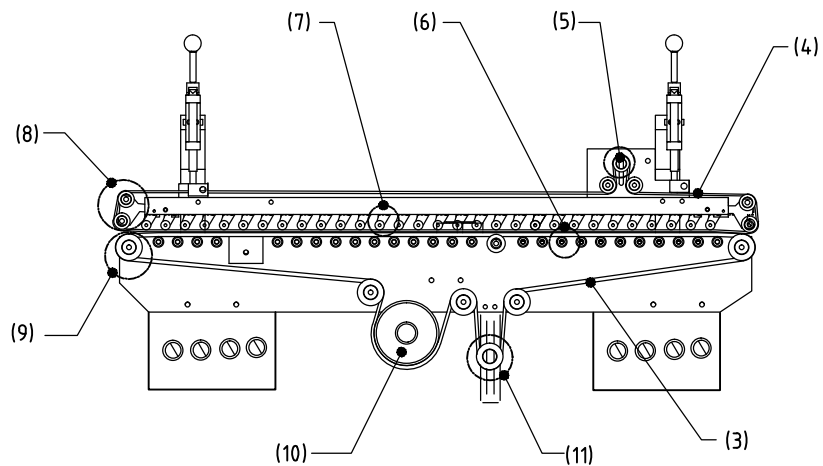
16	Bearings	4	F206	
15	Bearings	2	F206	
14	Bearings	2	F206	
13	Bearings	2	F206	
12	Bearings	2	F206	
11	Bearings	2	F206	
10-1	Bearings	1	F206	
10	Bearings	1	6006	
9	Bearings	2	6909	
8	Bearings	2	F206	

7	Bearings	2	6006	
6	Bearings	2	FL205	
5	Bearings	2	F205	
4	Bearings	2	6006	
3	Bearings	2	6006	
2	Bearings	2	F205	
1	Bearings	2	6002	
Preface number	Name	Quantity	Material specification	Remarks
Draw		Date	AUTOMATIC FOLDER GLUER MACHINE	
Check figures		Date		
Shape department	Comparison	Weight	Total page	ZH1000BFT-01
	1:20		Several page	



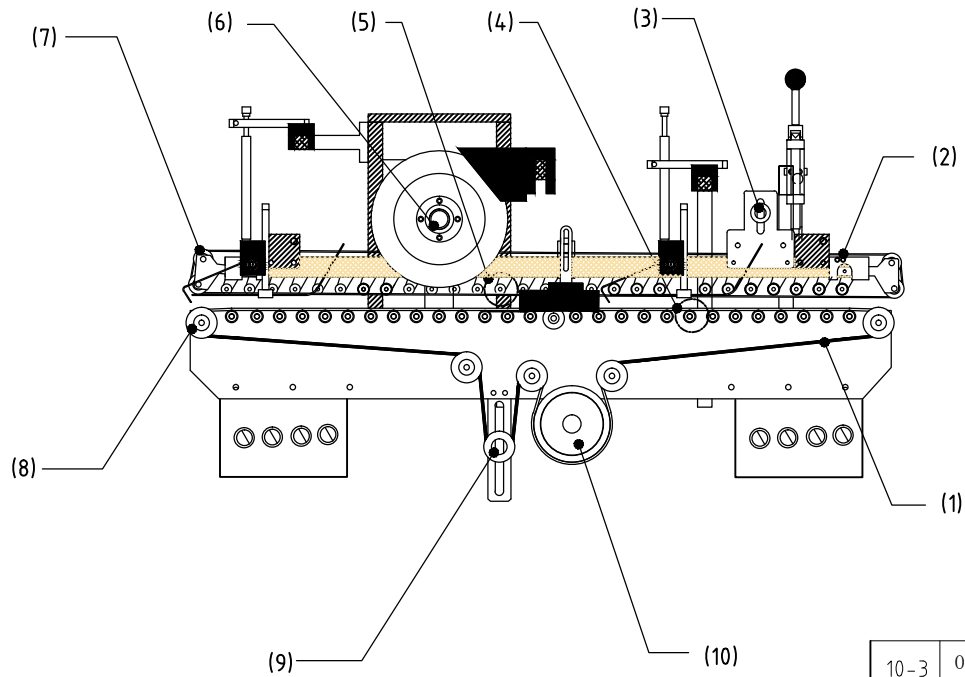
8	Connect piece	12		
7	Stalk	6		
6	Wheel gear	12		

5-4	Inside card	6	Φ 32	
5-3	Screw	6	M10	
5-2	Bearings	6	6002RS	
5-1	Tense round	6		
5	Tense module	6		
4-4	Spring coil	8	GB97-96	
4-3	Even mat	16	内Φ 10×1.5	
4-2	Screw	8	m10	
4-1	Bearings	16	6200	
4	Paper round module	8		
3-3	Play mat	24	Φ 0.9X5X31	
3-2	Screw	24	M5X22	
3-1	Bearings	48	626	
3	Paper round module	24		
2-3	Outside card	6	Φ 35	
2-2	Bearings	6	6907	
2-1	Deliver leather belt	6		
2	Spread move module	6		
1	Deliver leather belt	6	8X25X1000	
Preface number	Name	Quantity	Material specification	Remarks
Draw		Date	AUTOMATIC FOLDER GLUER MACHINE	
Check figures		Date		
Paper feeding unit	Comparison	Weight	Total page	ZH1000BFT-02
	1:20		Several page	



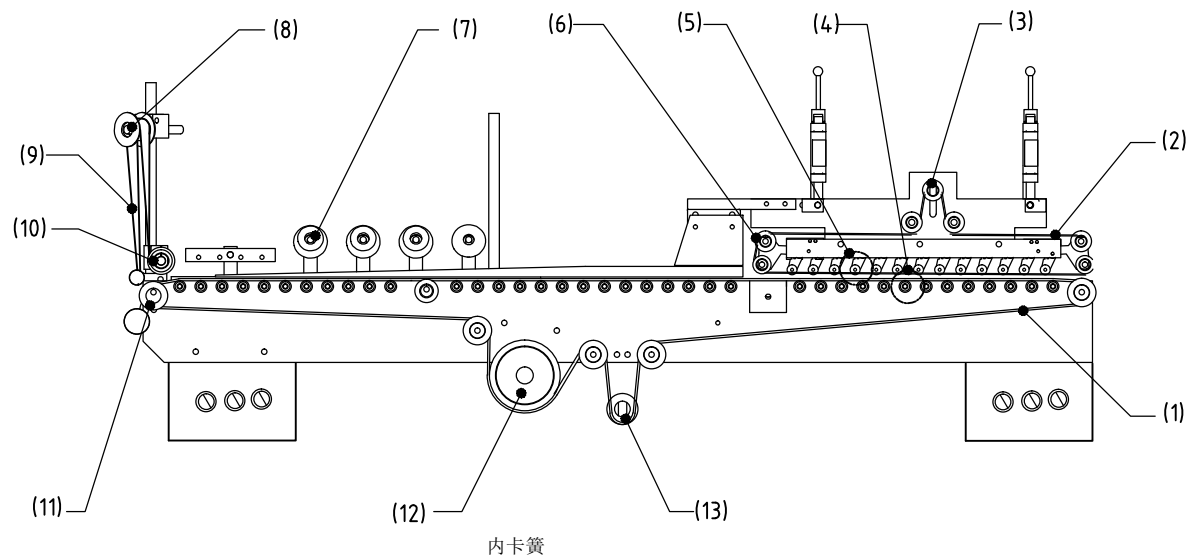
14-3	Inside card	8	Φ 26
14-2	Screw	8	M10
14-1	Bearings	8	6000
14	Synchronous take	8	
13-4	Inside card	2	Φ 15
13-3	Outside card	2	Φ 32
13-2	Screw	2	M12
13-1	Bearings	2	6002RS
13	Synchronous take	2	
12-3	Outside card	4	Φ 26
12-2	Screw	4	M10
12-1	Bearings	4	6000
12	Synchronous take	4	
11-5	Inside card	2	Φ 32
11-4	Outside card	2	Φ 15
11-3	Screw	2	M12
11-2	Bearings	4	6002RS
11-1	Wheel	2	
11	Synchronous take	2	
10-3	Outside card	2	Φ 68
10-2	Outside card	2	Φ 45
10-1	Bearings	2	6909Z
10	Synchronous take	2	
9-3	Play mat	10	Φ 22
9-2	Screw	10	m10
9-1	Bearings	20	6900
9	Synchronous take	10	

8-3	Inside card	12	Φ 19	
8-2	Screw	12		
8-1	Bearings	24	626	
8	Synchronous take	4		
7-4	Spring coil	N	Φ0.9X5X31	
7-3	Even mat	N	内Φ6×1.5	
7-2	Iron pillar	N		
7-1	Bearings	N	626Z	
7	Synchronous take	N		
6-3	Play mat	N	GB97-96	
6-2	Bearings	N	M8X22	
6-1	Synchronous take	N	608Z	
6	Synchronous take	N		
5-4	Inside card	2	Φ 19	
5-3	Screw	2	M6	
5-2	Bearings	4	626	
5	Synchronous take	2		
4	Leather belt	2	3X21X2900	
3	Leather belt	2	4X23X3100	
2	Leather belt	2	3X23X2700	
1	Synchronous take	1	1422V340	
Preface number	Name	Quantity	Material specification	Remarks
Draw		Date	AUTOMATIC FOLDER GLUER MACHINE	
Check figures		Date		
Pre-folding unit	Comparison	Weight	Total page	ZH-1000GD-03
			Several page	



10-3	Outside card	3	Φ68
10-2	Outside card	3	Φ45
10-1	Bearings	3	6909Z
10	Synchronous take	3	
9-5	Inside card	3	Φ15
9-4	Outside card	3	Φ32
9-3	Screw	3	M12
9-2	Bearings	6	6002RS
9-1	Wheel	3	
9	Synchronous take	3	
8-3	Inside card	15	Φ22
8-2	Screw	15	M10

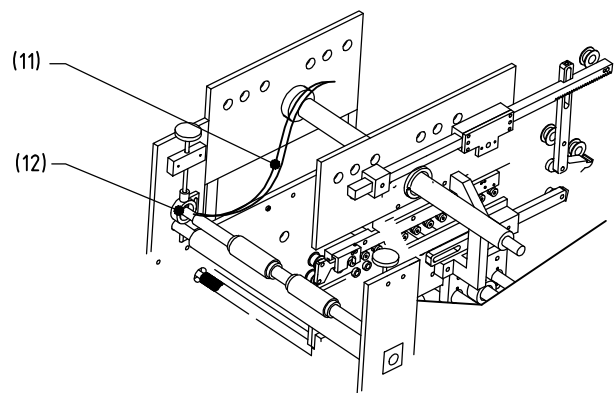
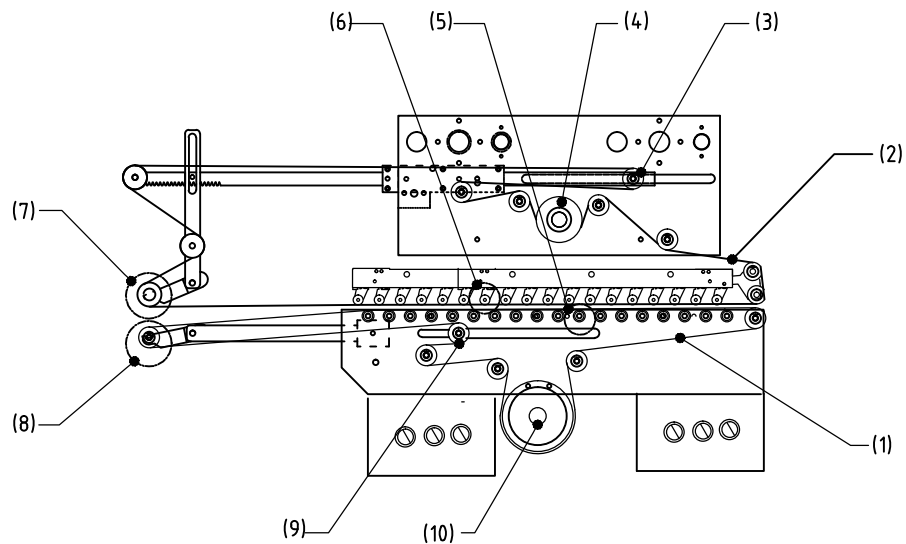
8-1	Bearings	30	6900	
8	Synchronous take	15		
7-3	Inside card	18	Φ19	
7-2	Screw	18	M6	
7-1	Bearings	36	626	
7	Synchronous take	6		
6	Bearings	2		
5-4	Spring coil	N	Φ0.9X5X31	
5-3	Even mat	N	内Φ6×1.5	
5-2	Iron pillar	N	Φ6×27	
5-1	Bearings	N	626Z	
5	Synchronous take	N		
4-3	Play mat	N	GB97-96	
4-2	Screw	N	M8	
4-1	Synchronous take	N	608Z	
4	Synchronous take	N		
3-4	Inside card	3	Φ19	
3-3	Screw	3		
3-2	Bearings	3	626	
3-1	Wheel	3		
3	Synchronous take	3		
2	Leather belt	2	3X21X2720	
1	Leather belt	2	4X23X3100	
Preface number	Name	Quantity	Material specification	Remarks
Draw		Date	AUTOMATIC FOLDER GLUER MACHINE	
Check figures		Date		
Bottom hooking uni		Comparison	Weight	Total page
				Several page
				ZH1000BFT-04



13-5	Inside card	2	Φ 15
13-4	Outside card	2	Φ 32
13-3	Screw	2	M12
13-2	Bearings	2	6002RS
13-1	Wheel	2	
13	Synchronous take	2	
12-3	Inside card	2	Φ 68
12-2	Outside card	4	Φ 45
12-1	Bearings	2	6909Z
12	Synchronous take	2	

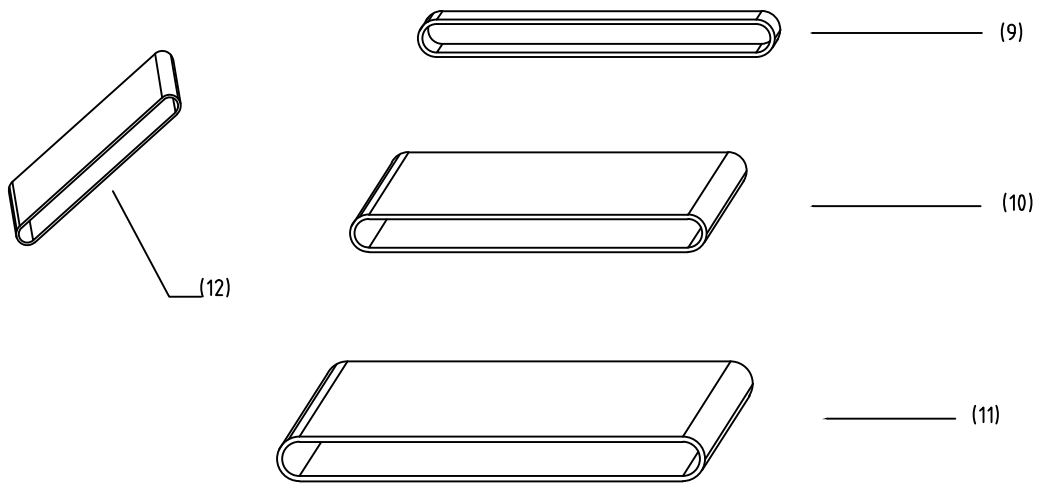
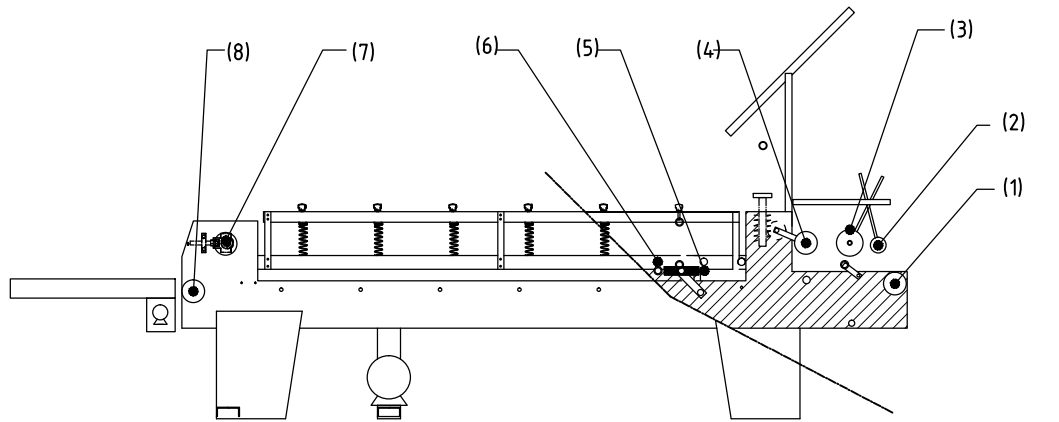
11-3	Inside card	10	Φ 22
11-2	Screw	10	M10
11-1	Bearings	20	6900
11	Wheel	10	
10-3	Screw	4	M10
10-2	Inside card	4	Φ 26
10-1	Bearings	8	6000
10	Wheel	4	
9	Leather belt	2	3X35X4350
8-3	Inside card	2	
8-2	Screw	2	M10
8-1	Bearings	4	6000
8	Wheel	2	

7-2	Inside card	8	Φ 26	
7-1	Bearings	8	6000Z	
7	Inclined round	8		
6-3	Inside card	12	Φ 19	
6-2	Screw	12	M6	
6-1	Bearings	24	626	
6	Synchronous take	4		
5-4	Spring coil	N	Φ 0.9X5X31	
5-3	Even mat	N	内 Φ 6×1.5	
5-2	Iron pillar	N	Φ 6×27	
5-1	Bearings	N	626Z	
5	Synchronous take	N		
4-3	Play mat	N	GB97-96	
4-2	Screw	N	M8	
4-1	Bearings	N	608	
4	Synchronous take	N		
3-4	Inside card	2	Φ 19	
3-3	Screw	2	M6	
3-2	Bearings	4	626	
3-1	Wheel	2		
3	Synchronous take	2		
2	Leather belt	2	3X15X1950	
1	Leather belt	2	4X30X4500	
Preface number	Name	Quantity	Material specification	Remarks
Draw		Date	AUTOMATIC FOLDER GLUER MACHINE	
Check figures		Date		
Folding unit	Comparison	Weight	Total page	ZH1000BFT-05
			Several page	



10-3	Inside card	2	Φ45
10-2	Bearings	2	6909
12	Synchronous take		
11	Leather belt	1	4X25X1300
10-3	Inside card	2	Φ68
10-2	Outside card	2	Φ45
10-1	Bearings	2	6909Z
10	Synchronous take	2	
9-4	Inside card	2	Φ10
9-3	Outside card	2	Φ26
9-2	Screw	2	M10
9-1	Bearings	4	6000
9	Synchronous take	2	
8-3	Inside card	2	Φ26
8-2	Screw	2	M10
8-1	Bearings	4	6000
8	Wheel	2	

7-3	Inside card	2	Φ26	
7-2	Screw	2	M10	
7-1	Bearings	8	6000	
7	Synchronous take	2		
6-4	Spring coil	N	Φ0.9X5X31	
6-3	Even mat	N	内Φ6×1.5	
6-2	Iron pillar	N		
6-1	Bearings	N	626Z	
6	Synchronous take	N		
5-3	Play mat	N	GB97-96	
5-2	Screw	N	M8X22	
5-1	Bearings	N	608Z	
5	Synchronous take	N		
4-2	Inside card	2	Φ68	
4-1	Bearings	2	6909Z	
4	Synchronous take	2		
3-4	Inside card	2	Φ26	
3-3	Screw	2	M10	
3-2	Bearings	4	6000Z	
3-1	Wheel	2		
3	Synchronous take	2		
2	Leather belt	2	3X23X3100	
1	Leather belt	2	4X23X2480	
Preface number	Name	Quantity	Material specification	Remarks
Draw		Date	AUTOMATIC FOLDER GLUER MACHINE	
Check figures		Date		
Pressing unit	Comparison	Weight	Total page	ZH1000BFT-06
			Several page	



12-1	Leather belt	1	3X500X2900	
12	Leather belt	1	3X550X6370	
11	Leather belt	1	3X550X5170	
10	Leather belt	1	10X60X5370	
9	Sponge leather belt	2	FB205	
8-1	Bearings	1		
8	Stalk	2	T205	
7-2	Inside card	1		
7-1	Bearings	28	6002RS	
7	Roller	14		
6-1	Bearings	28	Φ 32	
6	Stalk	28	6002RS	
5-2	Inside card	14		
5-1	Bearings	2	Φ 62	
5	Stalk	2	6206	
4-2	Inside card	1		
4-1	Bearings	1	Φ 22	
4	Roller	1		
3-1	Inside card	1	Φ 22	
3	Bearings	2		
2-1	Inside card	2	608	
2	Bearings	2		
1	Bearings	2	FA205	

Preface number	Name	Quantity	Material specification	Remarks
Draw		Date	AUTOMATIC FOLDER GLUER MACHINE	
Check figures		Date		
Clamping unit	Comparison	Weight	Total page	ZH1000BFT-07
	1:20		Several page	